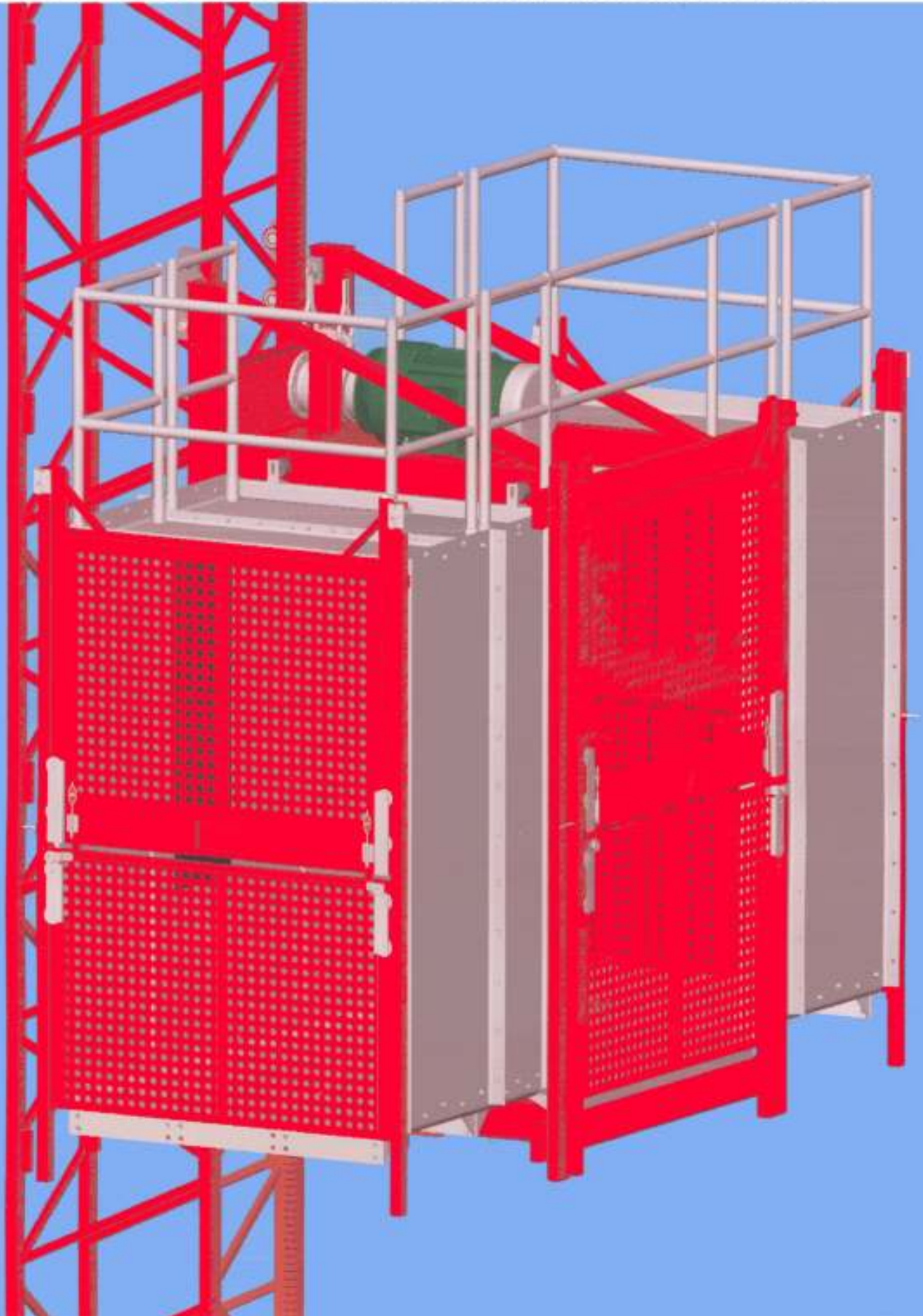
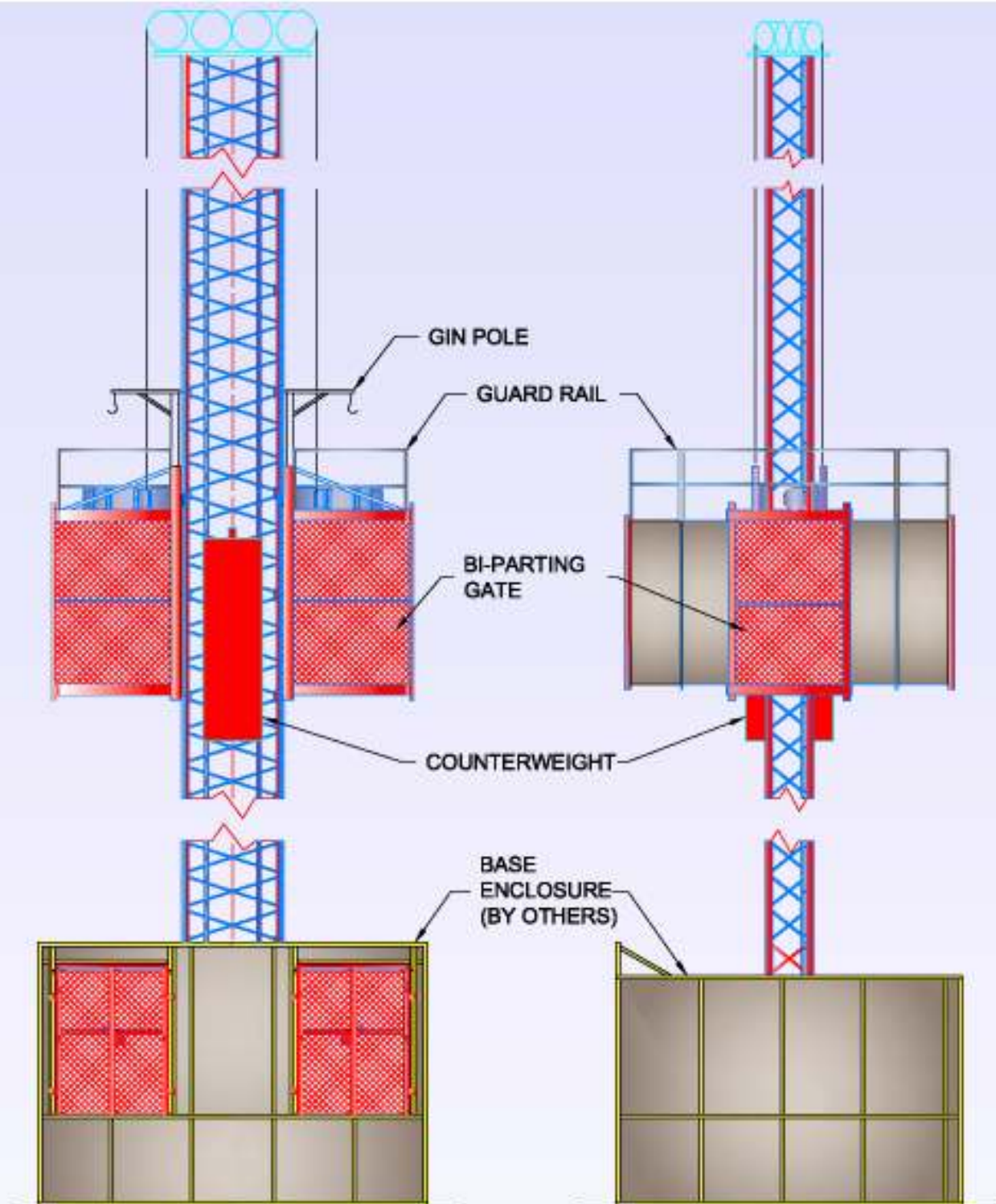


USA HOIST

MODEL USA-7000 Personnel / Material Hoist





ELEVATION-FRONT

ELEVATION-SIDE

BASE UNIT COMPONENTS

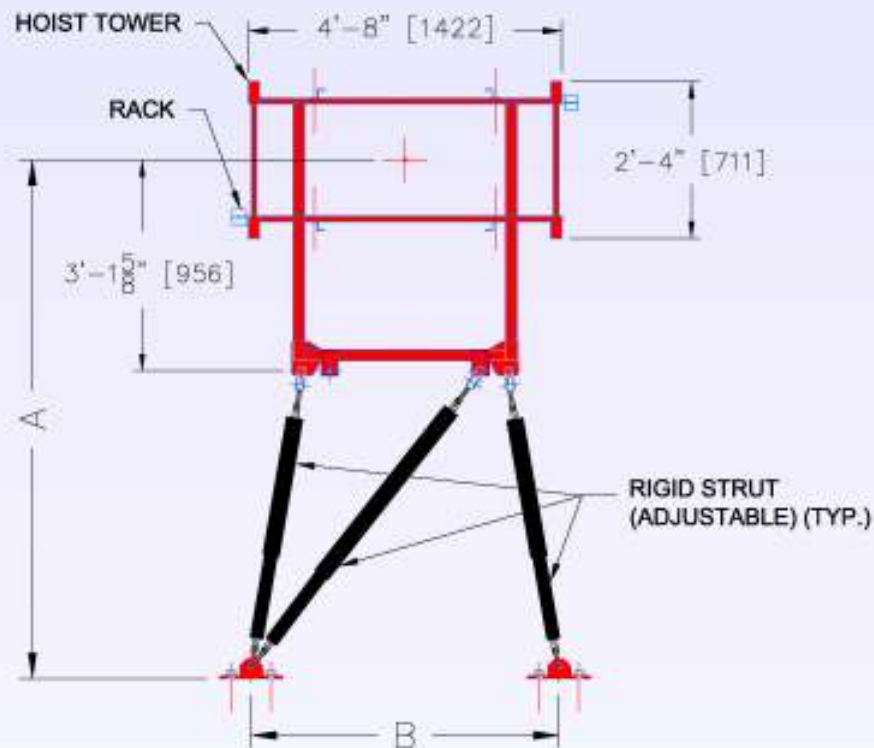
THE COMPONENTS LISTED BELOW ARE INCLUDED IN THE BASE PACKAGE.

- FULLY ASSEMBLED, CARS WITH OVERSPEED SAFETY BRAKE, MOTOR AND ALL DRIVE COMPONENTS
- 20 FT OF TOWER ON BASE
- LIMIT AND CONTROL SWITCHES
- MOTOR AND CAR CONTROL PANEL WITH CONSTANT-PRESSURE, HAND-LEVER CONTROLLER
- TWO-ROPE CATHEAD ASSEMBLY
- COUNTERWEIGHTS
- BUFFER SPRINGS
- POWER CABLE TROLLEY

ADJUSTABLE TIE-IN ASSEMBLIES

TIE-IN SPECIFICATIONS

(A) Length, in	(B) Distance between mounting plates, in	Car Gate/Structure Clearance, in	
		Wall Mount	Floor Mount
80"-105" [2032-2667]	50"-55" [1270-1397]	3"-28" [76-711]	3"-16" [76-406]



PLAN OF TIE-IN ASSEMBLY

USA HOIST COMPANY, INC.

AN AFFILIATE OF MID-AMERICAN ELEVATOR

www.mid-americanelevator.com

820 N. WOLCOTT AVENUE
CHICAGO, IL 60622 U.S.A.
TELEPHONE (773)486-6900

FACSIMILE (773)486-2438
E-MAIL sales@usahoist.com

USA HOIST

USA-7000

PERSONNEL AND MATERIAL HOIST

FEATURES	
New Higher Capacity – 7000 # (3180 kg)	Single or Dual Operation
New Higher Car-speed – 330 FPM (100 m/m)	Three Gates in Each Car
Proven Rack and Pinion Design	Reliable Single AC Motor Design
High Strength and Efficient Planetary Gearbox	Heavy Duty Steel Frame
Heavy Duty Disk Braking System	Light Weight Aluminum Fully Enclosed Car
Latest Technology Variable Speed AC Drive for Smooth Ride and Accurate Stops	Designed To Operate On Champion 6000 Single And Dual Tower
Industrial Duty Microprocessor Based Control System	Advanced Operator interface Text Display of Status, Operating and Diagnostic Messages
Selectable Car Switch or Full Automatic Operation.	Made in the United States

SPECIFICATIONS	
Capacity – 7000 # (3180 kg)	Car Weight -- 6000 # (2722 kg)
Car-speed – 330 FPM (100 m/m)	Counterweight Weight – 8800 # (3992 kg)
Passengers – 35	Total Dual Base Unit Wt. – 35,000 # (15900 kg)
Inside Car Dimensions --	Total Single Base Unit Wt. – 22,000 # (10000 kg)
Length -- 13'-0" (3.96 meters)	Maximum Tower Height – 1250 ft. (380 m)
Width -- 5'-0" (1.52 meters)	Electric Service Required – 480 VAC, 3 phase
Height -- 7'-7" (2.31 meters)	Single – 100 Amps, Dual – 200 Amps

